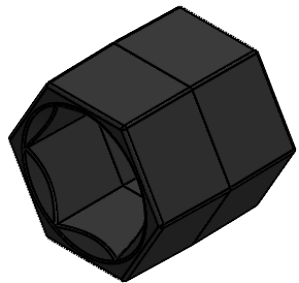
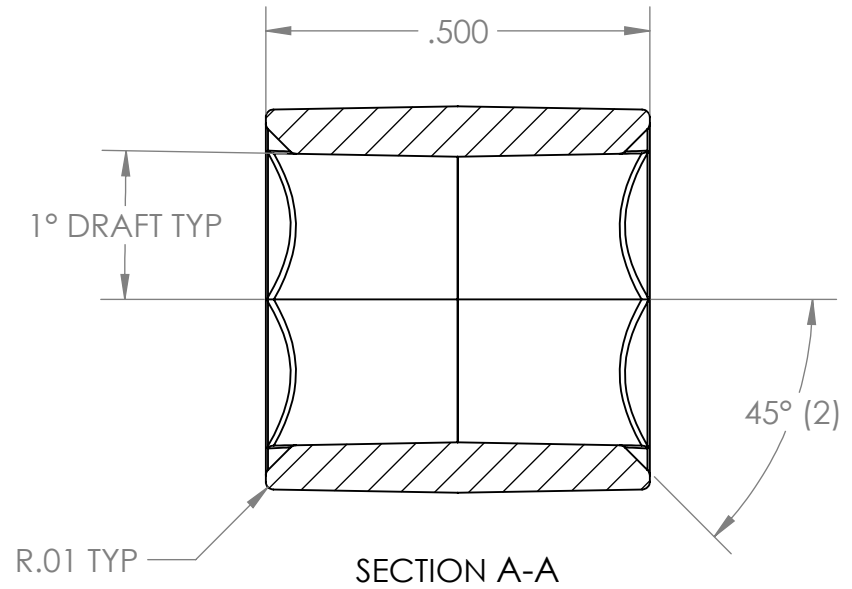
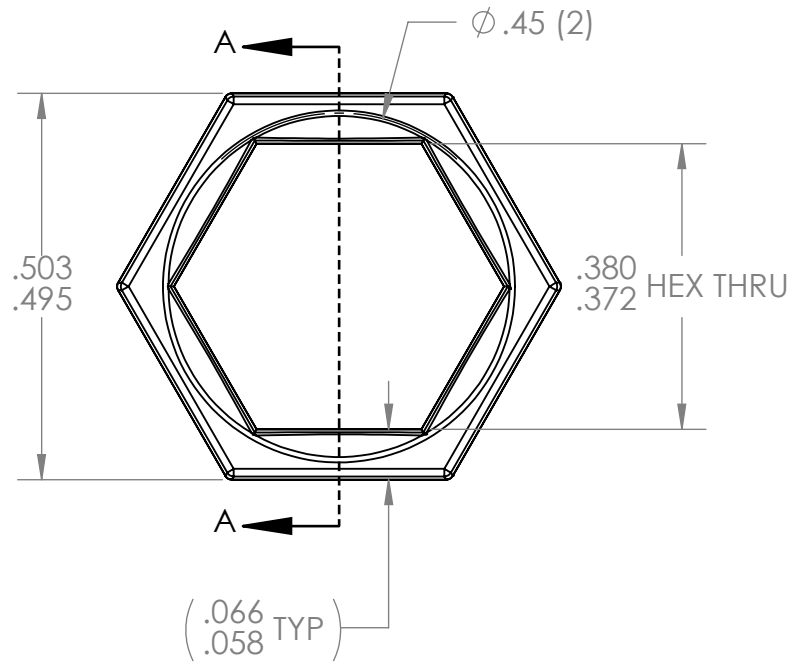



REVISION HISTORY			
REV.	DESCRIPTION	DATE	DRAWN BY
1	ORIGINAL PRINT	7/7/2025	N. MASSOUDA



*** SEE CAD FOR ADDITIONAL TOOLPATH INFO***

UNLESS OTHERWISE SPECIFIED:		COMMENTS:		 TITLE: 500 HEX TO 375 HEX ADAPTER			
DIMENSIONS ARE IN INCHES		DUAL DIMENSIONS ARE IN MILLIMETERS.					
TOLERANCES:		BREAK ALL SHARP EDGES		SIZE			
FRACTIONAL	±1/16			A	DWG. NO.		REV 1
ANGULAR: MACH	±1°				am-5680		
ANGULAR: BEND	±5°						
ONE PLACE DECIMAL	±0.1						
TWO PLACE DECIMAL	±0.01			SCALE: 4:1		WEIGHT:	
THREE PLACE DECIMAL	±0.005					SHEET 1 OF 1	
FOUR PLACE DECIMAL	±0.0005						
MATERIAL							
BLACK							
POLYPROPYLENE							
FINISH							
DEBURRED							
DO NOT SCALE DRAWING							